



PN 10/16 - DN 50...2000

KAT-A 5025

Product characteristics and benefits

- With flange ends on both sides acc. to EN, ANSI, BS, SABS
- For easy installation and dismantling of valves
- Suitable for transmission of pipe forces

Materials

- Adaptor sleeve: DN 50...150/200 ductile iron EN-GJS-400-15 (GGG40), DN 175/250...2000 rolled steel
- Adaptor flange: DN 50...80/125/250...2000 steel, DN 100/150...200 ductile iron
- Adaptor end ring: DN 50...300 ductile iron, DN 350...2000 rolled steel
- Spigot: Steel
- End ring fastener studs: 304 SS
- Seals: EPDM
- Threaded anchor bolts: 4.8 electro galvanized

Corrosion protection

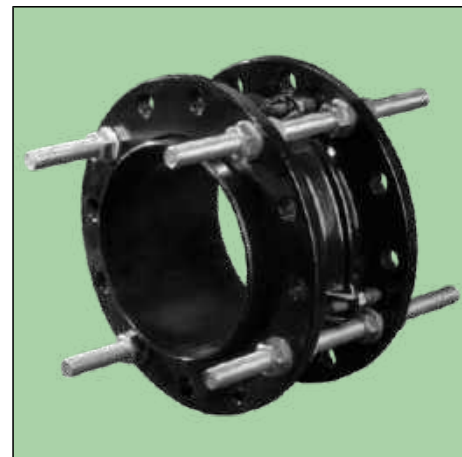
- Internally and externally epoxy coated

Versions

- With galvanized studs and tie rods
- With stainless-steel studs and tie rods
- NBR and other sealing materials on request
- Bigger sizes available on request
- Other pressure ratings available on request

Field of Application

- Underground installation
- Chamber installation
- Installation in plants



Tests and approvals

- WRAS tested and registered
- Certified non toxic elastomers and coatings for use on potable water distribution systems in accordance with BS 6920 (WRAS approved)
- Manufactured in accordance with AWWA C 219

Note

For proper installation and safe operation please follow the installation and operation instructions:

“Installation and Operating Instructions for Valves”

Field of application

DN	PN	Maximum operating pressure [bar]	Maximum operating temperature for neutral liquids [°C]
50...2000	10	10	60
50...2000	16	16	60

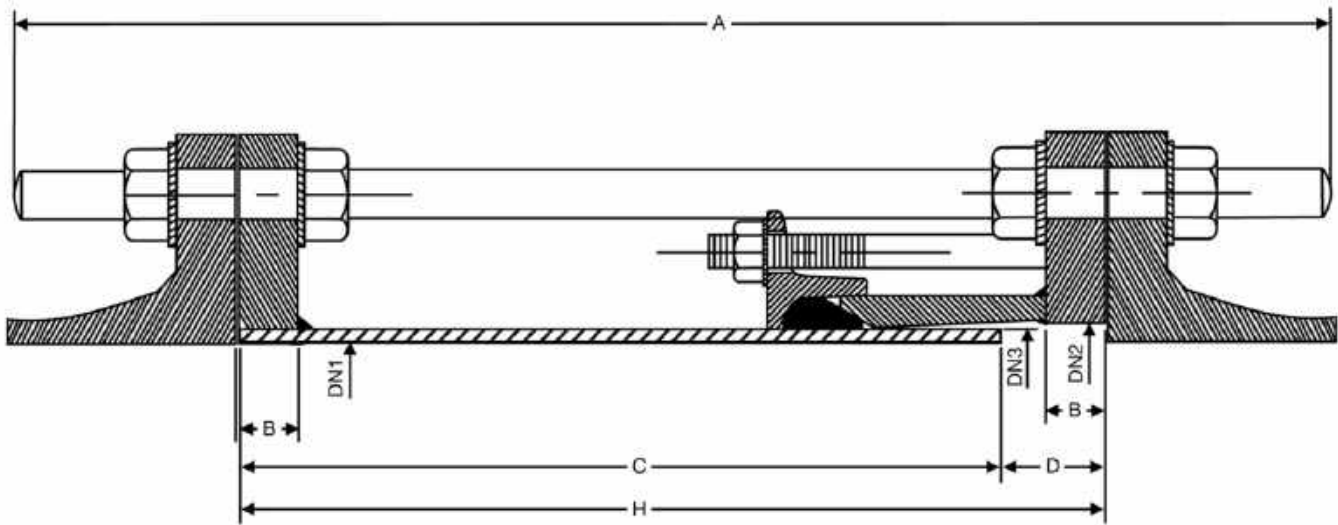
VAG VARplus-DJ Dismantling Joint

2 flange design, rigid, with continuous threaded anchor bolts on both sides



Water
Wastewater
Sea water

Drawing



Technical data

PN 16

DN	50	65	80	100	125	150	200	250	300	350	400	450
DN1	53	69	82	106	131	156	210	264	315	346	396	447
DN2	67	83	96	121	147	172	226	280	331	369	419	470
DN3	60	76	89	114	140	165	219	273	324	356	406	457
Spigot pipe wall thickness [mm]	3.2	3.2	3.2	3.9	4.2	4.2	4.5	4.5	4.5	4.5	4.5	4.5
B [mm]	12	12	12	12	14	16	16	19	19	23	24	24
C [mm]	165	165	165	165	165	165	165	175	175	250	250	250
H min. [mm]	165	165	165	165	165	165	165	175	175	250	250	250
C + D recommended [mm]	185	185	185	185	185	185	185	195	195	275	275	275
H max. [mm]	205	205	205	205	205	205	205	215	215	300	300	300
Threaded anchor bolts	4x M16x300	4x M16x300	4x M16x300	4x M16x300	4x M16x300	4x M20x320	4x M20x320	4x M24x350	4x M24x350	4x M24x450	4x M27x470	4x M27x470
Weight approx. [kg]	9	10	12	13	16	23	33	38	44	71	88	99

PN 16

DN	500	600	700	800	900	1000	1200	1400	1600	1800	2000
DN1	498	600	698	800	901	1003	1202	1399	1599	1799	1995
DN2	521	623	724	826	927	1029	1232	1433	1633	1833	2031
DN3	508	610	711	813	914	1016	1219	1420	1620	1820	2020
Spigot pipe wall thickness [mm]	4.5	4.5	6	6	6	6	8	8	10	10	12
B [mm]	25	25	25	25	25	27	35	45	60	60	60
C [mm]	250	250	250	250	250	260	280	310	350	350	350
H min. [mm]	250	250	250	250	250	260	280	310	350	350	350
C + D recommended [mm]	275	275	275	275	275	290	310	340	380	380	380
H max. [mm]	300	300	300	300	300	320	340	370	410	410	410
Threaded anchor bolts	4x M30x500	4x M33x520	4x M33x520	6x M36x550	7x M36x570	7x M39x610	8x M45x680	9x M45x730	8x M52x850	11x M52x850	12x M56x890
Weight approx. [kg]	131	175	184	220	245	331	559	665	1320	1500	1750



Technical data

PN 10

DN	50	65	80	100	125	150	200	250	300	350	400	450
DN1	53	69	82	106	131	156	210	264	315	346	396	447
DN2	67	83	96	121	147	172	226	280	331	369	419	470
DN3	60	76	89	114	140	165	219	273	324	356	406	457
Spigot pipe wall thickness [mm]	3.2	3.2	3.2	3.9	4.2	4.2	4.5	4.5	4.5	4.5	4.5	4.5
B [mm]	12	12	12	12	14	16	16	19	19	23	24	24
C [mm]	165	165	165	165	165	165	165	175	175	250	250	250
H min. [mm]	165	165	165	165	165	165	165	175	175	250	250	250
C + D recommended [mm]	185	185	185	185	185	185	185	195	195	275	275	275
H max. [mm]	205	205	205	205	205	205	205	215	215	300	300	300
Threaded anchor bolts	4x M16x300	4x M16x300	4x M16x300	4x M16x300	4x M16x300	4x M16x300	4x M20x320	4x M20x320	4x M20x330	4x M20x330	4x M24x420	4x M24x450
Weight approx. [kg]	9	10	12	13	16	23	31	34	43	49	77	95

PN 10

DN	500	600	700	800	900	1000	1200	1400	1600	1800	2000
DN1	498	600	698	800	901	1003	1202	1399	1599	1799	1995
DN2	521	623	724	826	927	1029	1232	1433	1633	1833	2031
DN3	508	610	711	813	914	1016	1219	1420	1620	1820	2020
Spigot pipe wall thickness [mm]	4.5	4.5	6	6	6	6	8	8	10	10	12
B [mm]	25	25	25	25	25	27	35	45	60	60	60
C [mm]	250	250	250	250	250	260	280	310	350	350	350
H min. [mm]	250	250	250	250	250	260	280	310	350	350	350
C + D recommended [mm]	275	275	275	275	275	290	310	340	380	380	380
H max. [mm]	300	300	300	300	300	320	340	370	410	410	410
Threaded anchor bolts	4x M24x450	4x M27x480	4x M27x480	4x M30x500	7x M30x520	7x M33x560	8x M36x610	9x M39x670	8x M45x750	11x M45x770	12x M45x800
Weight approx. [kg]	111	135	168	200	225	298	496	610	1250	1300	1490